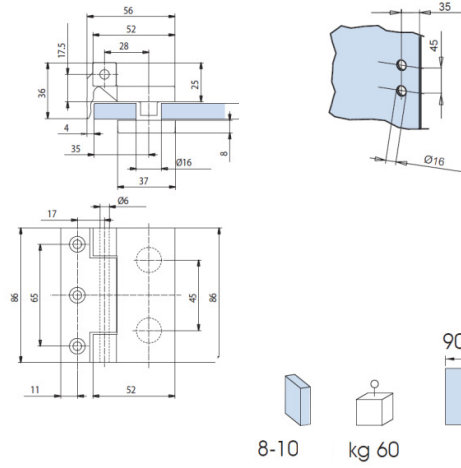
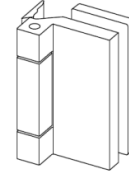


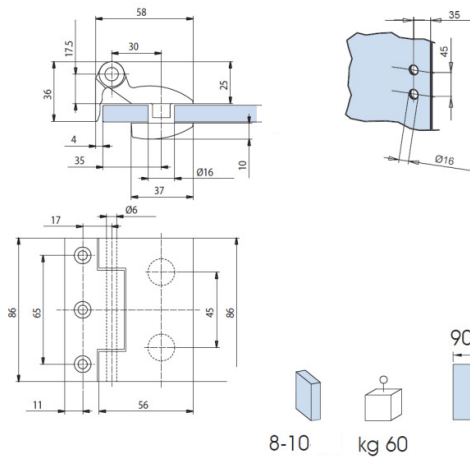
Cubo



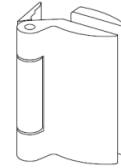
Suits any rebate depth
 Glass to frame clearance 4mm
 Finishes – NS, CR, CS



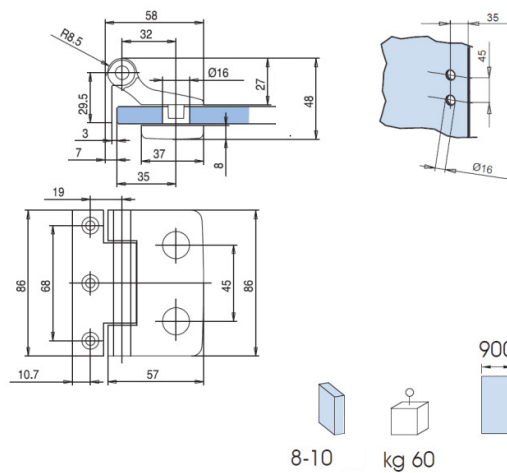
Enzo



Suits any rebate depth
 Glass to frame clearance 4mm
 Finishes – NS, CR, CS



Vito



Suits any rebate depth
 Glass to frame clearance 4mm
 with 3mm deep hinge cut outs into frame
 Finishes – NS, CR, CS, OL



FINISHES

NS – Satin Nickel (like stainless steel)
 CR – Polished Chrome

CS – Satin Chrome

OL – Polished Brass